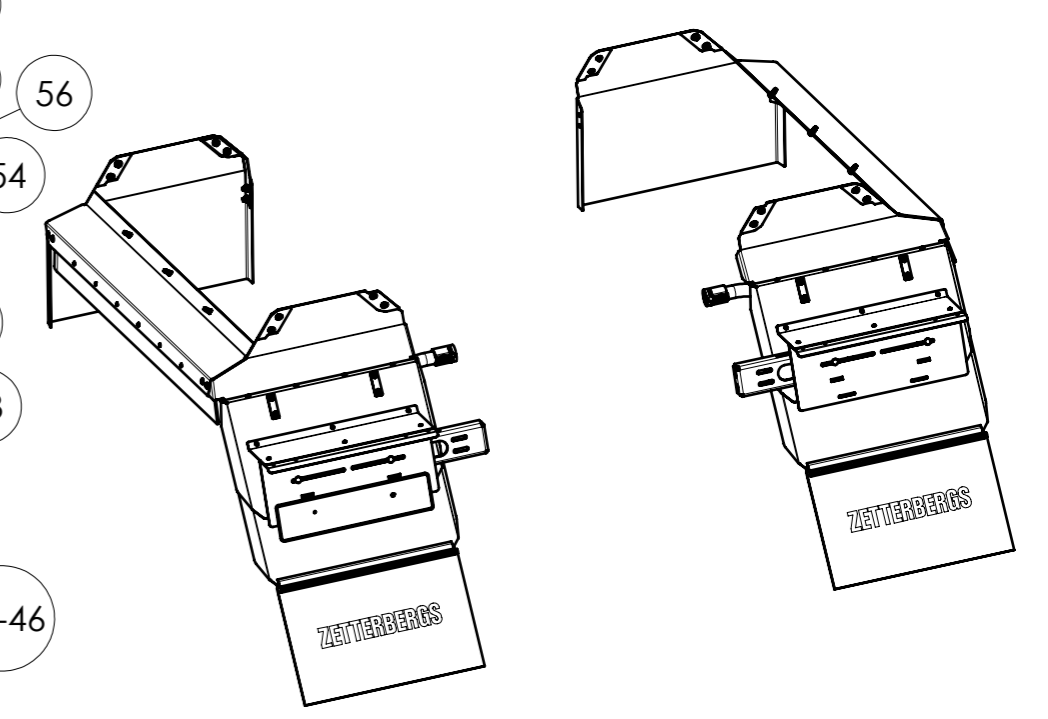


Exploded view shows left side boggie EU



364135 (Single SS EU)	364135 (Tripple SS EU)	378010 (Boggie/tri Alu NO)	364093 (Boggie/tri/sing SS NO)	364102 (Boggie SS EU)
-----------------------	------------------------	----------------------------	--------------------------------	-----------------------

2	2	2	2	2	39	378082	Decal anti corrosion				
1	1	1	1	1	38	377074	Bracket license plate				
1	4			2	37	348271	Mudguard				
1	1	1	1	1	36	361624	Attachment right				
1	1	1	1	1	35	361621	Attachment left				
2	2	2	2	2	34	260811	Attachm. taillight hold	RF			
2	2	2	2	2	33	310107	Taillight holder	RF			
2	2	2	2	2	32	377659	Bracket rear light				
		4			31	135137	Opposite plate	FZ			
4	4		4	4	30	353404	Opposite plate	RF			
2	2	2	2	2	29	346672	Plastic lid			43x36x10	
		4			28	167197	Exhaust clip	FZ		45 mm	
4	4		4	4	27	355594	Exhaust clip	RF		45 mm	
2	2	2	2	2	26	346664	Fender bracket PK 760	FZ		R100	
2	2	2	2	2	25	223487	Mudguard bracket				
		2	2		24	361375	Mudguard Zetterb. NO				
2	2			2	23	209866	Mudguard Zetterb. EU				
2	2			2	22	346579	Rear mudflap RS				
		1			21	378046	Stabilizing attachm. R	FZ			
		1			20	378049	Stabilizing attachm. L	FZ			
1	1		1	1	19	363448	Stabilizing attachm. R	RF			
1	1		1	1	18	363451	Stabilizing attachm. L	RF			
2	2			2	17	359092	Joint fender	RF			
		2			16	361642	Rear fender compl.	Alu			
2	2		2	2	15	361639	Rear fender compl.	RF			
		1			14	378034	Rear fender R	Alu			
		1			13	378037	Rear fender L	Alu			
1	1		1	1	12	378676	Rear fender R	RF			
1	1		1	1	11	378679	Rear fender L	RF			
					10	378670	Front fender R angle	RF			
					9	378673	Front fender L angle	RF			
					8	378022	Front fender R crossb	Alu			
					7	378025	Front fender L crossb	Alu			
					6	378664	Front fender R crossb	RF			
					5	378667	Front fender L crossb	RF			
		1			4	378016	Front fender R	Alu			
		1			3	378019	Front fender L	Alu			
1	1		1	1	2	378658	Front fender R	RF			
1	1		1	1	1	378661	Front fender L	RF			
Ant	Ant	Ant	Ant	Ant	Pos	Art.nr	Name	Mat.	Dim.		

Sealing strip 364438 used in assembly: 1.2 m  
 Jointing strip 373477 used in tripple assambly: 0.25 m

378073 (Screw Alu NO)	364342 (Screw SS NO)	364339 (Screw SS EU)					
14	14	50	58	322418	Screw K6S	RF	M6x20
8			57	154849	Locking nut	FZB	M6
14	22	58	56	322427	Locking nut	RF	M6
8			55	179358	Washer	FZB	6.4x12x1.5
14	22	58	54	319107	Washer	RF	6.4x12x1.6
8			53	980 4340	Screw MBVF	FZB	M6x20
			52	368941	Screw MBVF	RF	M6x20
			51	367441	Screw MBVF	RF	M6x30
16			50	154856	Locking nut	FZB	M8
			49	322808	Locking nut	RF	M8
16			48	179366	Washer	FZB	8.4x16x1.5
			47	289637	Washer	RF	8.4x24x2
16			46	187013	Screw MBVF	FZB	M8x25
			45	322805	Screw MBVF	RF	M8x25
			44	351742	Screw MBVF	RF	M8x35
28			43	175695	Locking nut	FZB	M10
			42	355486	Locking nut	RF	M10
28			41	179374	Washer	FZB	10.5x20x2
			40	365287	Washer	RF	10.5x20x2
28			39	378085	Screw K6S	FZB	M10x30
			38	365284	Screw K6S	RF	M10x25
Ant	Ant	Ant	Pos	Art.nr	Name	Mat.	Dim.

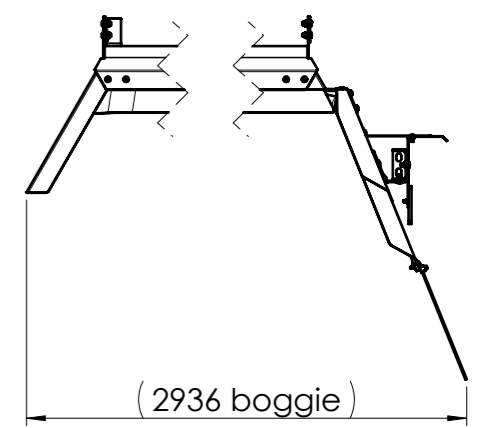
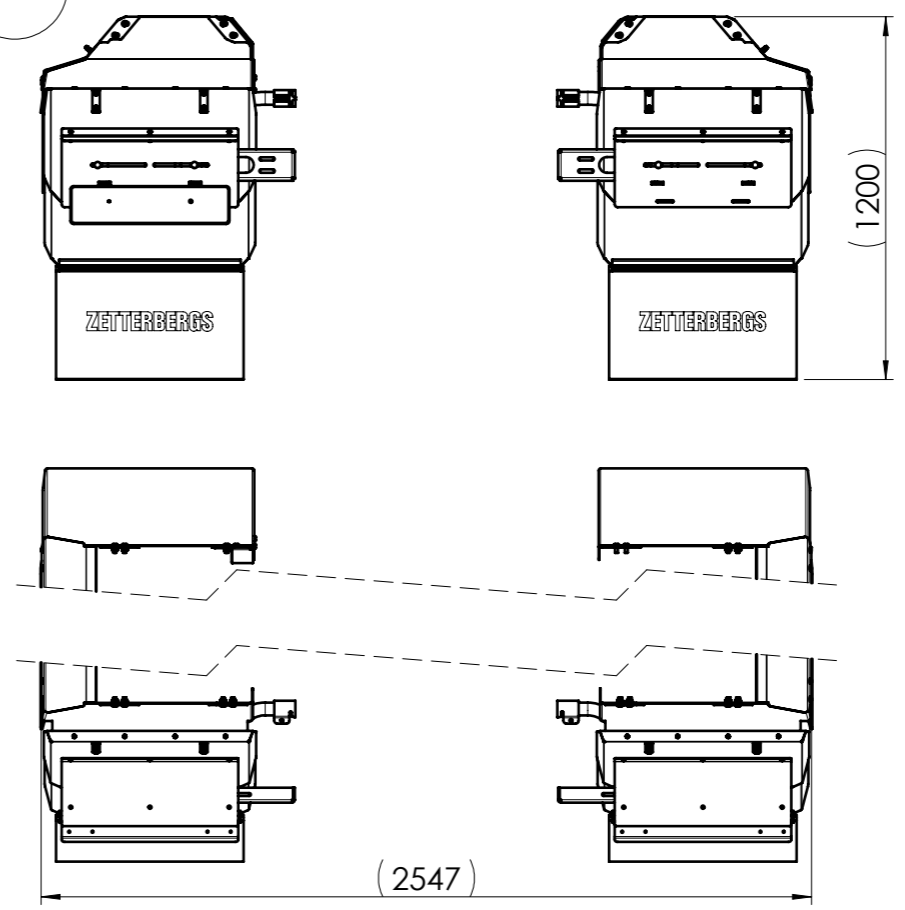


Table 1

	Total weight (app.) kg
Boggie	95
Tripple	112
Single	84

Dimensions without individual tolerance acc. to SS-ISO 2768-1c

N.B. The copyright and ownership of this drawing including associated computer data are and will remain ours. They must not be copied, used or brought to knowledge of any third party without our prior permission. © Zetterbergs Industri AB, Sweden

<b>ZETTERBERGS</b>	Ritad/Drawn 200324	Godk./Approved DN	Skala/Scale 1:25	Vikt/Weight See table 1
Name Fenders plate Body mounted ZD4 Assembly	Benämning Stänkskärmar plåt Korgmonterade ZD4 Montering		Size <b>A3</b>	Ersätter/Replace 367450 / 367453 Ritn. nr/Drawing no. <b>378643-R</b>

Ingår i: