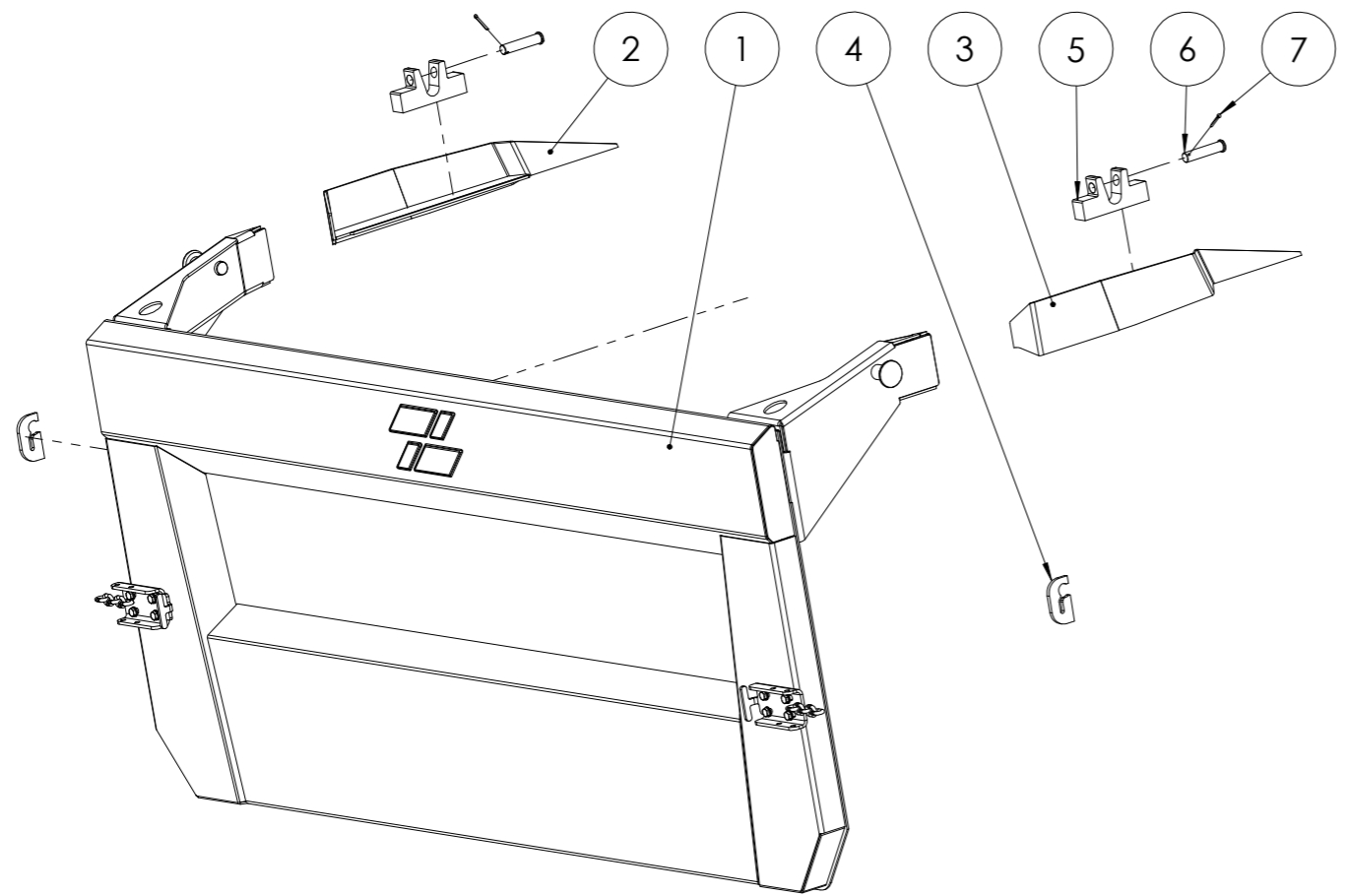
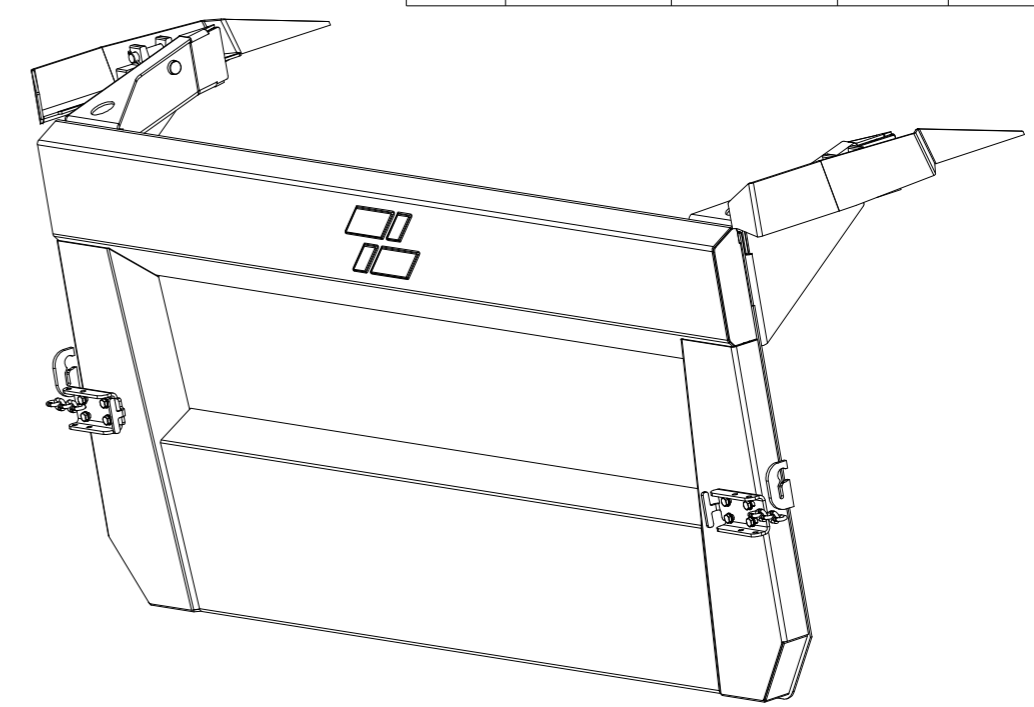


Table 1

	Pos 1		L1 mm	Total weight (app.) kg
Front hinged 120	364189	H=900	984	149
	364192	H=1000	1084	158
	364195	H=1100	1184	167
	364198	H=1200	1284	176
	364201	H=1300	1384	185
	364204	H=1400	1484	194
Front hinged 250	363217	H=900	984	143
	363220	H=1000	1084	153
	363223	H=1100	1184	162
	363226	H=1200	1284	170
	363229	H=1300	1384	179
	363232	H=1400	1484	188



7	2	990 3348	Split pin	Saxsprint SP		4x40	
6	2	351805	Pin HCB	Sprint HCB	FZB	20x90	
5	2	363215	Bearing spreader gate	Lagring spridarläm			4
4	2	356449	Chain hook	Kättinghak			4
3	1	363208	Bracket right bearing	Fäste hö lagring sprl			3
2	1	363211	Bracket left bearing	Fäste vä lagring sprl			3
1	1	Table 1	Spreader gate	Spridarläm			Ritning 363233
Pos	Ant.	Art.nr	Name	Benämning	Material	Dimension	

Dimensions without individual tolerance acc. to SS-ISO 2768-1c

N.B. The copyright and ownership of this drawing including associated computer data are and will remain ours. They must not be copied, used or brought to knowledge of any third party without our prior permission. © Zetterbergs Industri AB, Sweden

	Ritad/Drawn	Godk./Approved	Skala/Scale	Vikt/Weight
	140415	RP	1:15	See table 1
Name	Benämning		Size	Ersätter/Replace
Spreader gate steel	Sprl framhängd 120/250		A3	Ritn. nr/Drawing no.
Front hinged 120/250	ZD4			
Assembly - ZD4	Montering		363253	