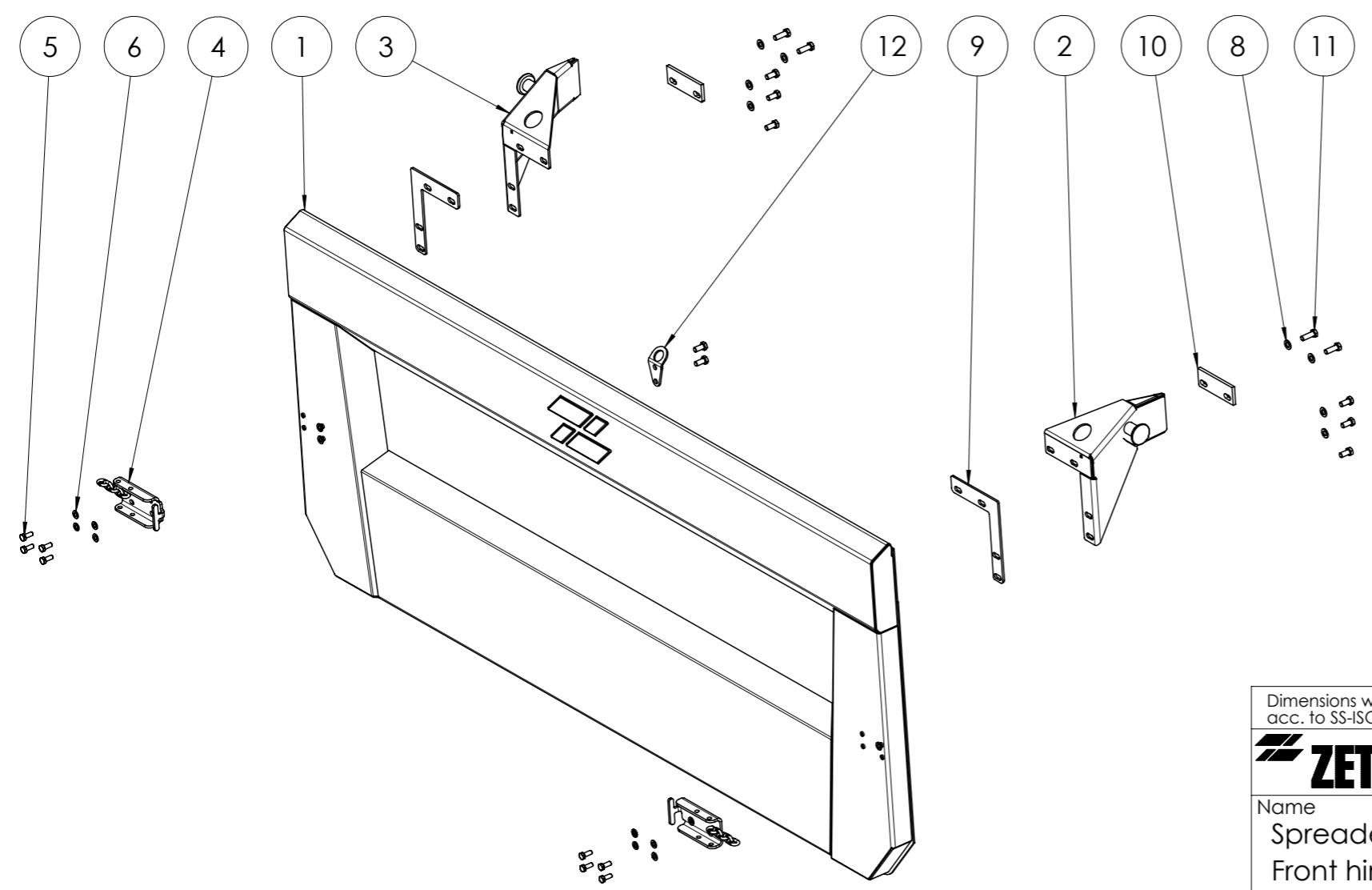
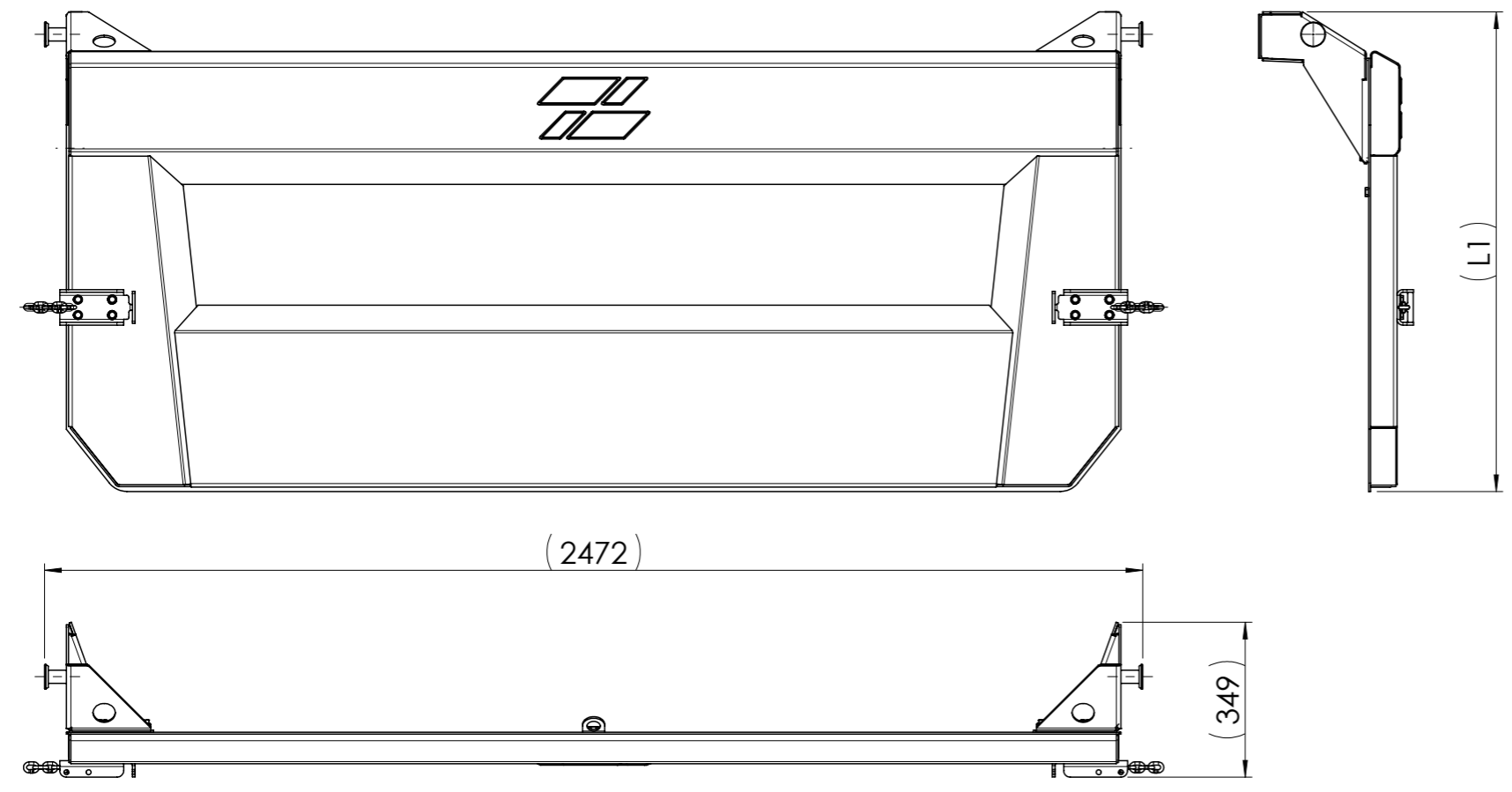
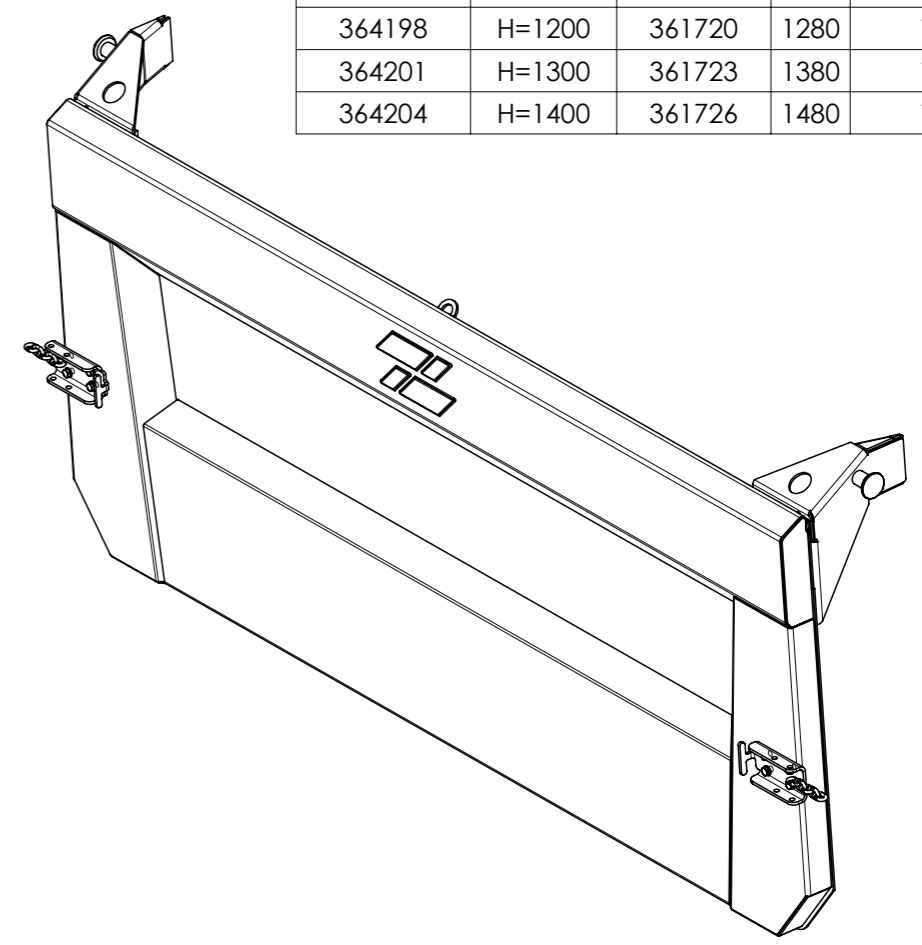


Table 1

Spreader gate		Pos 1	L1 mm	Total weight (app.) kg
364189	H=900	361713	980	133
364192	H=1000	361714	1080	143
364195	H=1100	361717	1180	152
364198	H=1200	361720	1280	160
364201	H=1300	361723	1380	169
364204	H=1400	361726	1480	178



Pos	Ant.	Art.nr	Name	Benämning	Material	Dimension
12	1	364605	Lifting eye	Lyftögla		
11	4	191916	Screw M6S	Skruv M6S	FZB	M12 X35
10	2	364603	Support plate	Stödplåt		
9	2	363802	Distance plate	Distansplåt		
8	8	179382	Washer BRB	Bricka BRB	FZB	13x24x2
7	8	992 4345	Screw M6S	Skruv M6S	FZB	M12x25
6	14	179374	Washer BRB	Bricka BRB	FZB	10,5x20x2
5	8	178996	Screw M6S	Skruv M6S	FZB	M10x25
4	2	363250	Spreader gate stop	Spridarlämsstopp		
3	1	364186	Hinge 120 left	Upphängning 120 vän		
2	1	364183	Hinge 120 right	Upphängning 120 hö		
1	1	Se tabell	Spreader gate body	Spridarläm stomme		Ritning 361717

Dimensions without individual tolerance acc. to SS-ISO 2768-1c

N.B. The copyright and ownership of this drawing including associated computer data are and will remain ours. They must not be copied, used or brought to knowledge of any third party without our prior permission. © Zetterbergs Industri AB, Sweden

ZETTERBERGS	Ritad/Drawn 140410	Godk./Approved RP	Skala/Scale 1:15	Vikt/Weight See table 1
Name Spreader gate steel Front hinged 120 ZD4	Benämning Spridarläm stål Framhängd 120 ZD4		Size A3	Ersätter/Replace Ritn. nr/Drawing no. 364205

Ingår i: 363253