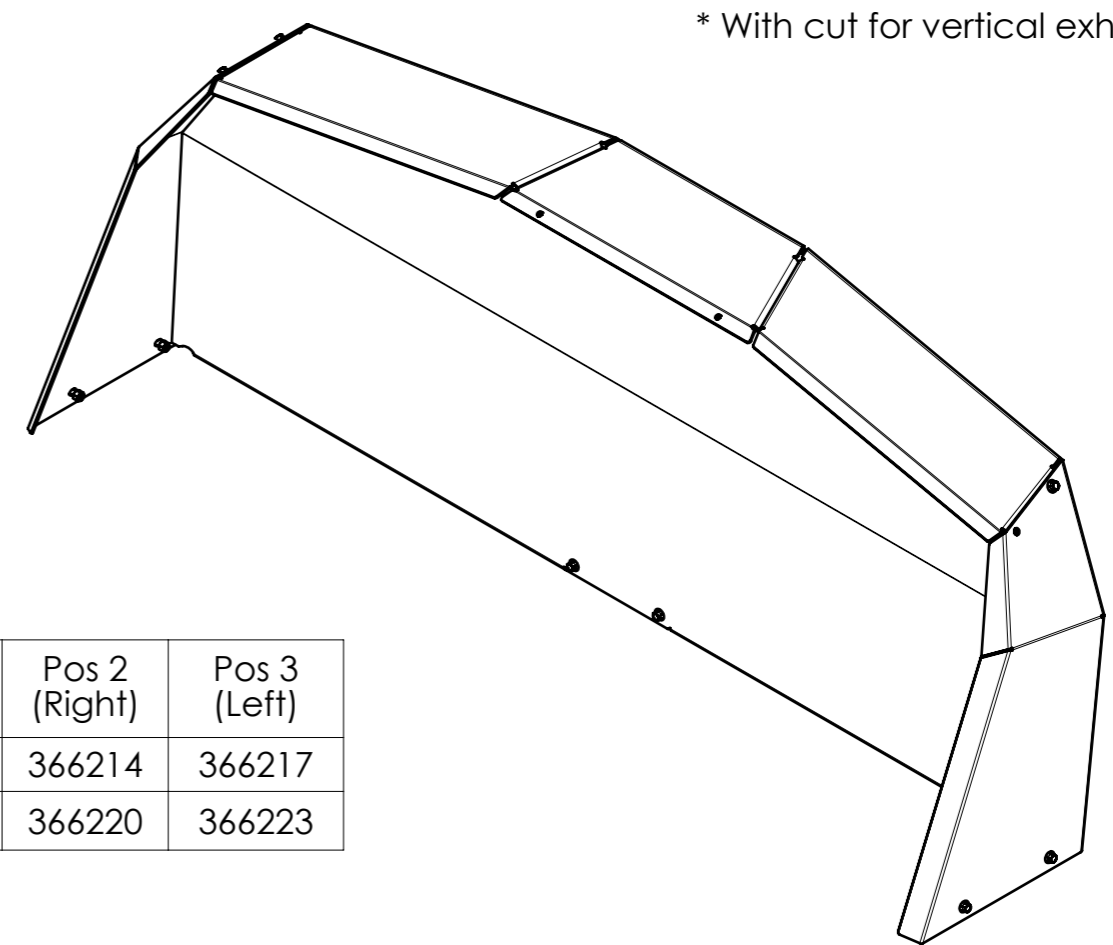
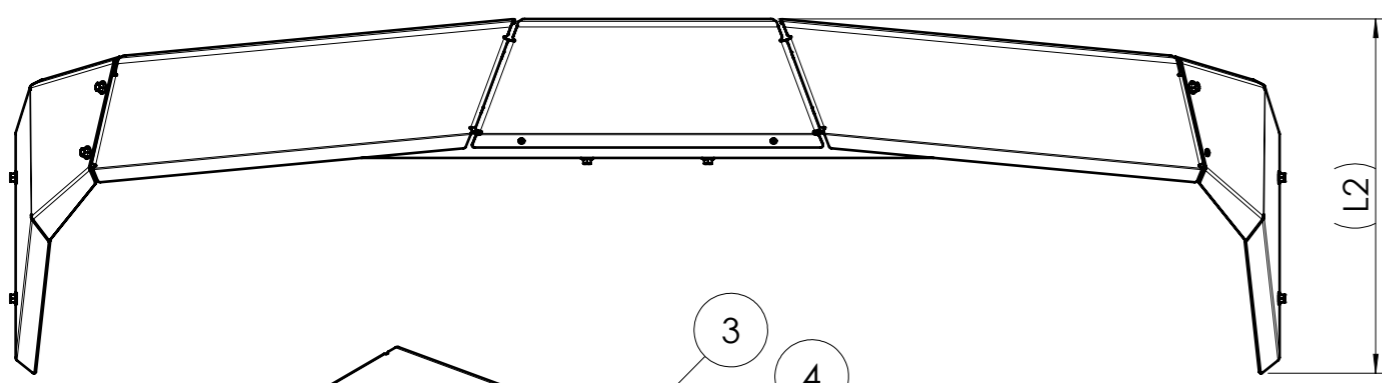


Table 1

	Cab protection			Pos 1	L1 mm	L2 mm	Total weight (app.) kg
	Normal	Cut R*	Cut L*				
H=410	366169	366170	366171	366190	516	680	57
H=560	366172	366173	366174	366193	666	687	72
H=710	366175	366176	366177	366196	716	697	88
H=860	366178	366179	366180	366199	866	703	103
H=1010	366181	366182	366183	366202	1016	707	119
H=1160	366184	366185	366186	366205	1166	711	135
H=1310	366187	366188	366189	366208	1316	713	151



* With cut for vertical exhaust pipe

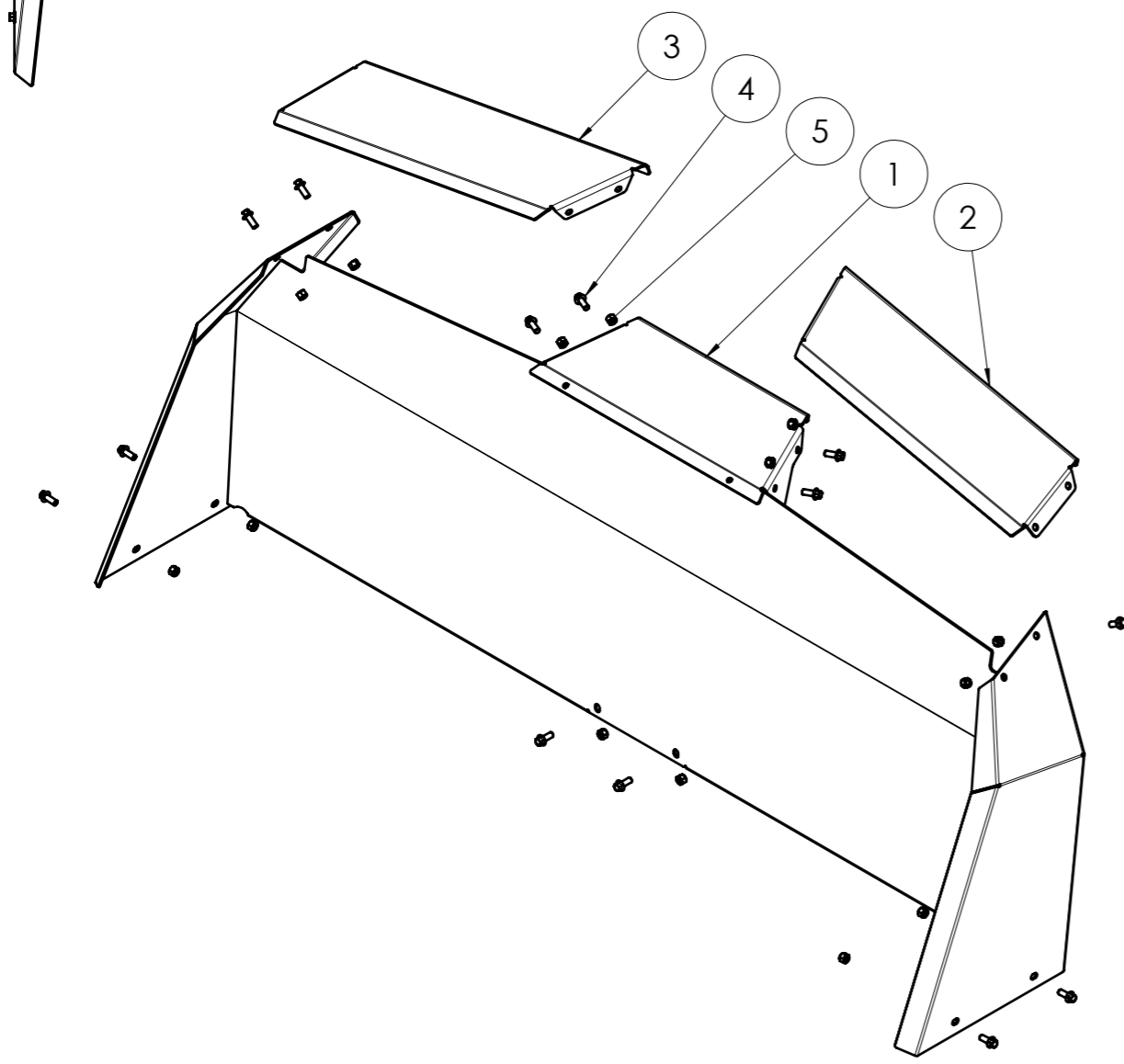


Table 2

	Pos 2 (Right)	Pos 3 (Left)
Normal	366214	366217
Exhaust cut*	366220	366223

5	14	175703	Locking nut	Mutter lås	FZB	M12
4	14	365281	Screw M6SF-TT	Skruv M6SF-TT	FZB	M12 X 30
3	1	Table 2	Screwing plate left	Skruvplåt vänster		
2	1	Table 2	Screwing plate right	Skruvplåt höger		
1	1	Table 1	Body B-series	Stomme B-serien		
Pos	Ant.	Art.nr	Name	Benämning	Material	Dimension

Dimensions without individual tolerance acc. to SS-ISO 2768-1c

N.B. The copyright and ownership of this drawing including associated computer data are and will remain ours. They must not be copied, used or brought to knowledge of any third party without our prior permission. © Zetterbergs Industri AB, Sweden

	Ritad/Drawn	Godk./Approved	Skala/Scale	Vikt/Weight
	150915	DN	1:15	See table 1
Name	Benämning		Size	Ersätter/Replace
Cab protection B-series	Hyttskydd B-serien		A3	Ritn. nr/Drawing no.
ZD4	ZD4			