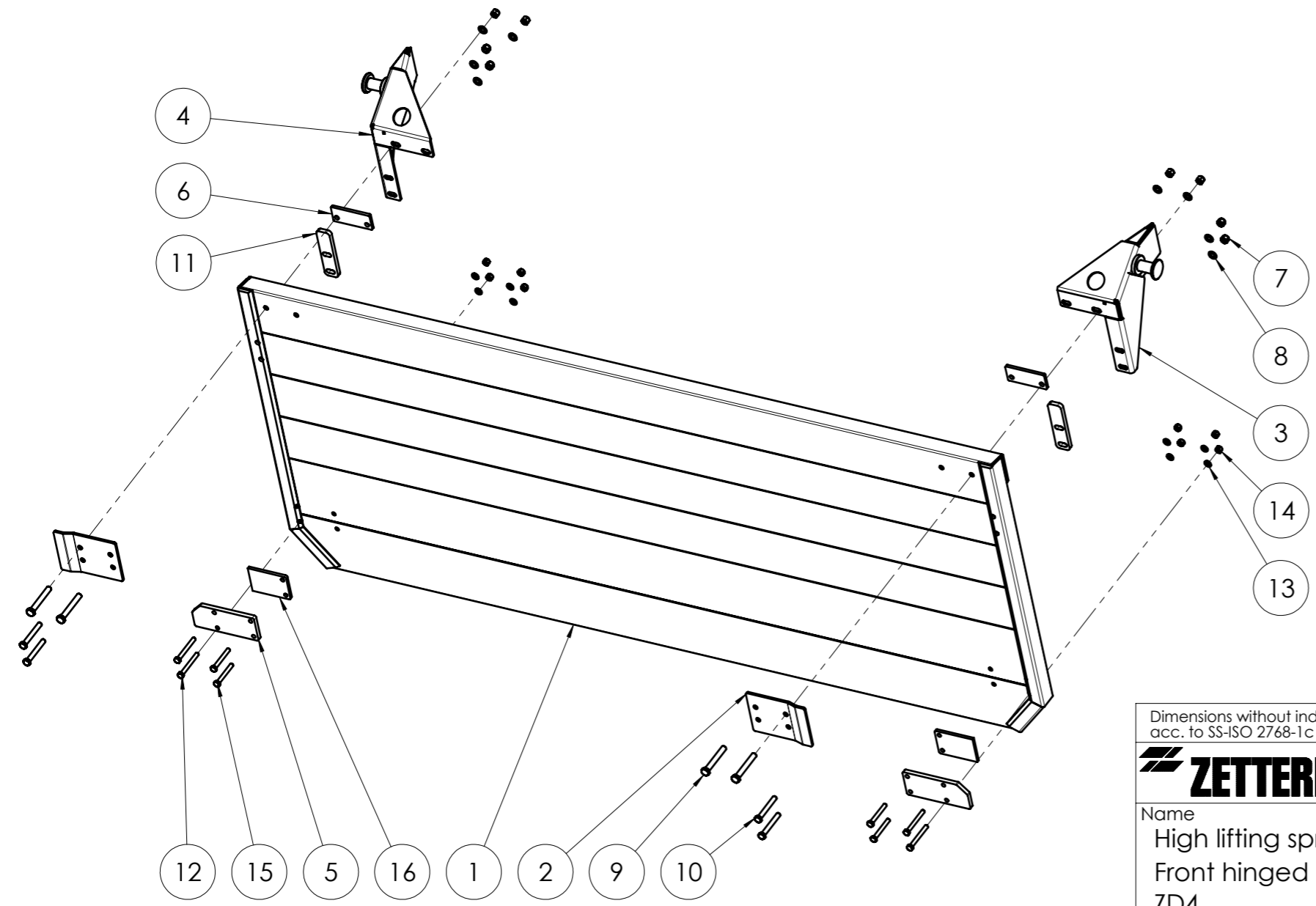
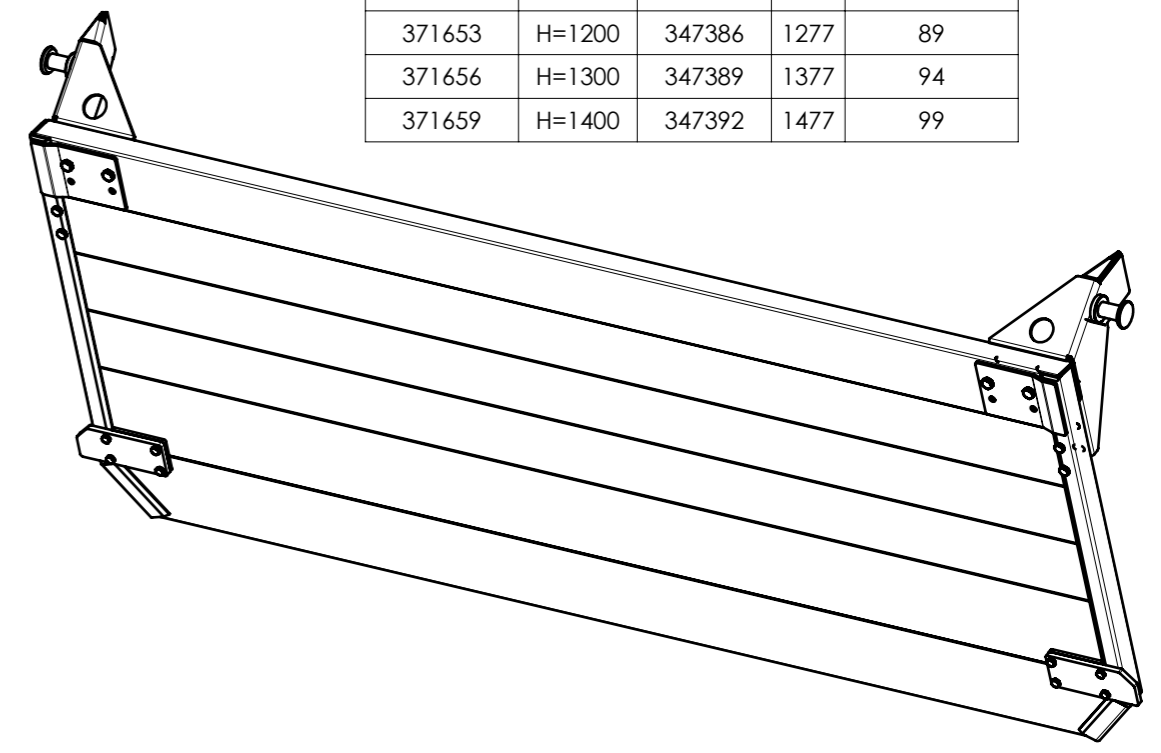


Table 1

Spreader gate	Pos 1	L1 mm	Total weight (app.) kg	
371647	H=1000	347380	1077	79
371650	H=1100	347383	1177	84
371653	H=1200	347386	1277	89
371656	H=1300	347389	1377	94
371659	H=1400	347392	1477	99



Pos	Ant.	Art.nr	Name	Benämning	Material	Dimension
16	2	370805	Spacer sliding plate	Distans glidplåt		
15	4	178707	Skruv M6S	Skruv M6S	FZB	M10x80
14	8	175695	Locking nut	Mutter lås	FZB	M10
13	8	179374	Washer BRB	Bricka BRB	FZB	10,5x20x2
12	4	187203	Screw M6S	Skruv M6S	FZB	M10x90
11	2	363787	Distance plate	Distansplåt		4
10	4	184606	Screw M6S	Skruv M6S	FZB	M12 X 90
9	4	992 4442	Screw M6S	Skruv M6S	FZB	M12 x 100
8	8	179382	Washer BRB	Bricka BRB	FZB	13x24x2
7	8	175703	Locking nut	Mutter lås	FZB	M12
6	2	364603	Support plate	Stödplåt		4
5	2	370804	Sliding plate	Glidplåt		
4	1	373777	Hinge 120 left	Upphängning 120 V		
3	1	373774	Hinge 120 right	Upphängning 120 H		
2	2	363793	Support plate	Stödplåt		4
1	1	Tbl 1	Spreader tailgate alu	Sprl stomme alu		Drawing/Ritning 347377 3

Dimensions without individual tolerance acc. to SS-ISO 2768-1c

N.B. The copyright and ownership of this drawing including associated computer data are and will remain ours. They must not be copied, used or brought to knowledge of any third party without our prior permission. © Zetterbergs Industri AB, Sweden

<b>ZETTERBERGS</b>	Ritad/Drawn 170421	RP	Godk./Approved	Skala/Scale 1:15	Vikt/Weight See table 1
Name High lifting spr gate alu Front hinged 130 slide lock ZD4	Benämning Höglyftande läm alu Framhängd 130 glidlåst ZD4		Size <b>A3</b>	Ersätter/Replace 365860 Ritn. nr/Drawing no. <b>371614</b>	

Ingår i: 371605